

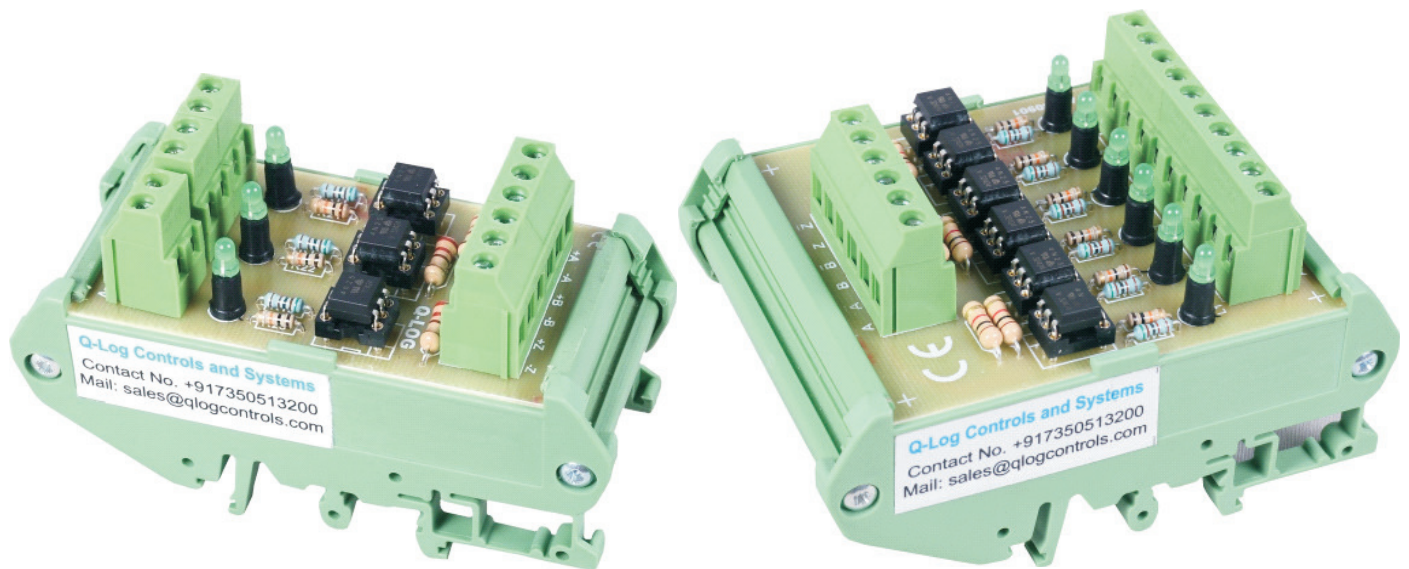
Differential to Single Ended Signal Converter Low Frequency

Function of differential to single ended signal converter: This module receives six differential signals viz +A,-A,+B,-B,+Z,-Z signals (5-24 VDC) and converts differential signal in to single ended signals with pulse amplitude equal to user supplied voltage anything between 65-2 VDC. Outputs are optically isolated from input encoder signals.

Features

- DIN rail mountable
- Three (A,B,Z) outputs module or Six (A,?,B,B?,Z,Z?) outputs module
- LED indication for output signals
- Reduces high frequency noise and gives clear square wave
- Sink type and Source type outputs

Product Picture



3 Outputs



6 Outputs

Technical specifications:

Input signal voltage: 3 VDC-30 VDC in 3 variants as 3-5V, 6-12V & 12-30VDC

Max. input current: 10 mA

Max. output voltage: 65 VDC

Min. output voltage: 3.0 VDC

Max. load per output point: 50 mA

Continuous power dissipation at (or below) 25°C free-air temperature: 200mW

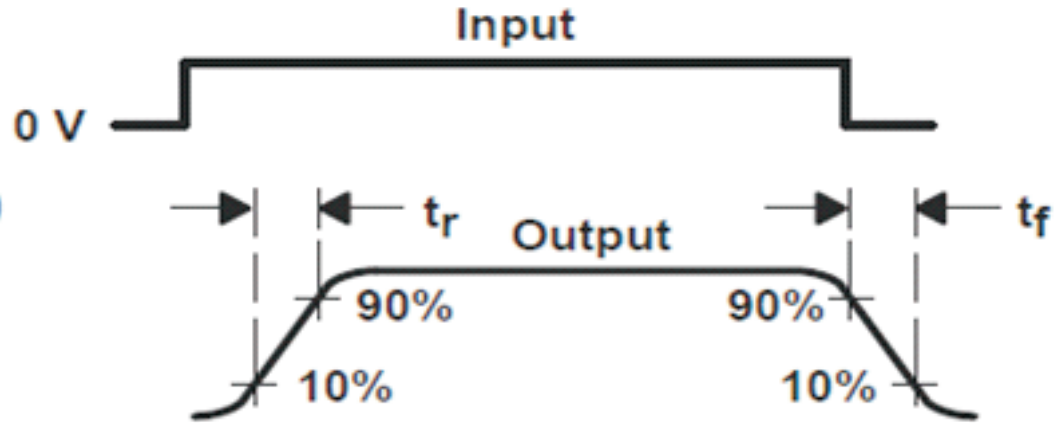
Input to output electrical isolation: 3.55 KV

Max. Voltage drop in output voltage: 0.5 V @ 5mA load

Resistance, input to output: 100 G?

Max pulse frequency: 25 KHz

Typical Switching Characteristic of optoisolator Circuit



Applications:

- For connecting simulated encoder signals from inverters/Servo drives to PLC inputs.
 - To convert RS422 signal in to single ended signal
 - To shift level of the square wave input to desired level
 - Conversion of sink type encoder to source type outputs
 - Conversion of source type encoder to sink type outputs
- Available in 3 points / 6 points output variants
 - Converters with input signal other than 24VDC can be supplied on demand.
 - Max. frequency :25 KHz.

Sr No	Encoder PPR	Motor RPM	Pulse Freq	Suitable Signal Booster
1	1000	750	12.5 KHz	25 KHz
3	600	1500	15.00 KHz	25 KHz
4	1000	1500	25.00 KHz	25 KHz
5	400	3000	20.00 KHz	25 KHz

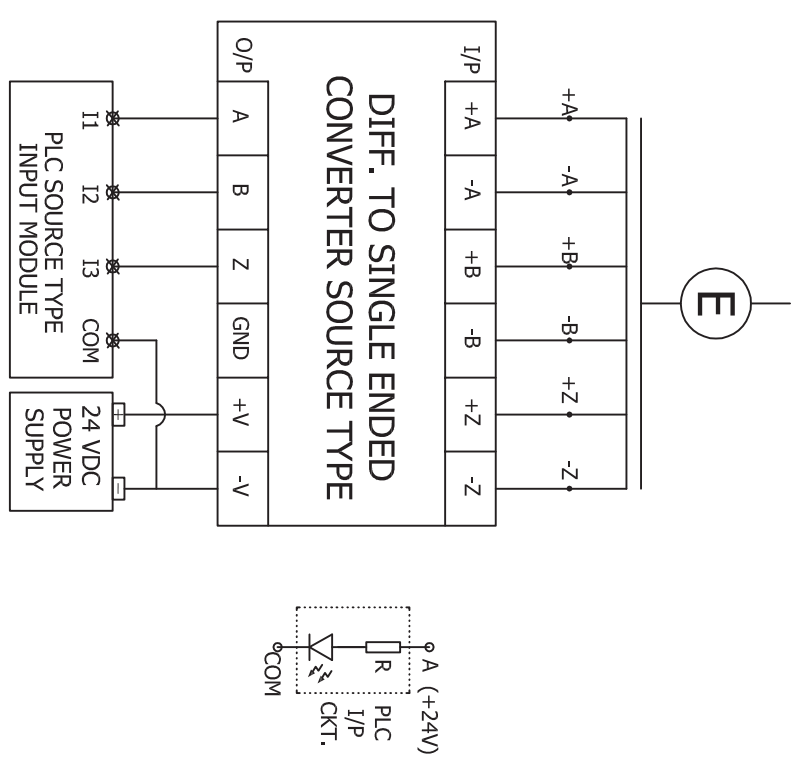
Standards /Approvals

- CE Certified
- PCB :IEC61373
- Terminals:UL/CE
- Optoisolator:UL
- Profile & end plates : CE

NOTE:-Due to continuous product development the product supplied to you may look different than the product image in the pdf file.

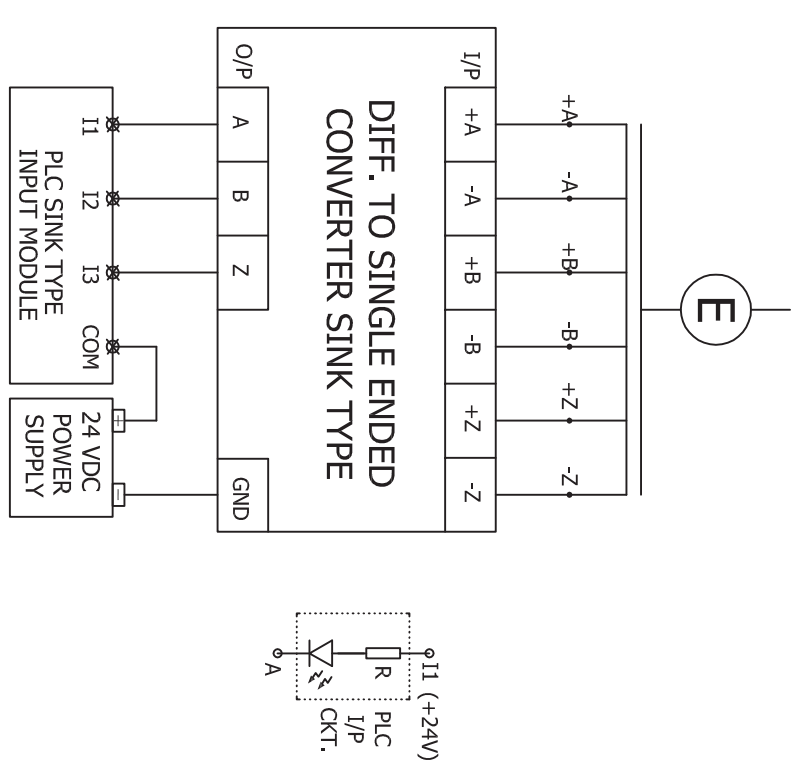
THIS PRODUCT IS NOT FOR EXPORTS

A) CONNECTING SOURCE TYPE PLC MODULE TO SOURCE TYPE (LOW FREQ.) CONVERTER WITH I/P FROM ENCODER 5V DIFF. SIGNAL.



NOTES : 1) INPUT SIGNAL FROM ENCODER SHOULD HAVE CAPACITY TO DRIVE 10mA @ 5V LOAD.

B) CONNECTING SINK TYPE PLC MODULE TO SINK TYPE (LOW FREQ.) CONVERTER WITH I/P FROM ENCODER 5V DIFF. SIGNAL.



NOTES : 1) INPUT SIGNAL FROM ENCODER SHOULD HAVE CAPACITY TO DRIVE 10mA @ 5V LOAD.

REV NO	DESCRIPTION	APRD. BY	DATE	S.P.D., 17.02.2017	S.C.M., 17.02.2017	S.P.D., 17.02.2017
1						

DESCRIPTION:-	DIFFERENTIAL TO SINGLE ENDED CONVERTER [SOURCE/SINK] LOW FREQUENCY CONNECTIONS;	PROJECT:-	
DWG NO.:-	- 6	CUSTOMER:-	
Q-Log Controls and Systems			
THIS IS A CAD DRAWING. DO NOT REVISE MANUALLY. DO NOT TAKE REPRODUCIBLE COPIES			

